

# **PYLE**®

## **6" TFT LCD COLOR MONITOR**

### **PLHSG6**

### **OPERATING INSTRUCTIONS**

Before operating this set, please read these instructions completely

[http:// www.pyleaudio.com](http://www.pyleaudio.com)

Congratulations for purchasing our PYLE mobile multimedia products, before connecting, operating or adjusting this product, please read these instructions to make you particular mobile multimedia products to best perform

1. Do not repair it by yourself, if any trouble occurs, please immediately shuts it off and contact our company or local dealer. This monitor is composed of many precise electronic components, any detachment or reassembling may result damages to the set.
2. Do not exposed it in humid air, dust, vapor, oil lampblack, sunlight, etc.
3. Do not use thinner or any other chemical cleaner. Please choose soft cloth to clean the dirt on the monitor.
4. Keep the monitor far from extremely heating or cooling places.  
Storage temperature: -25~60°C  
Operating temperature: 0-40°C
5. Prevent the set from falling or struck.

#### Caution

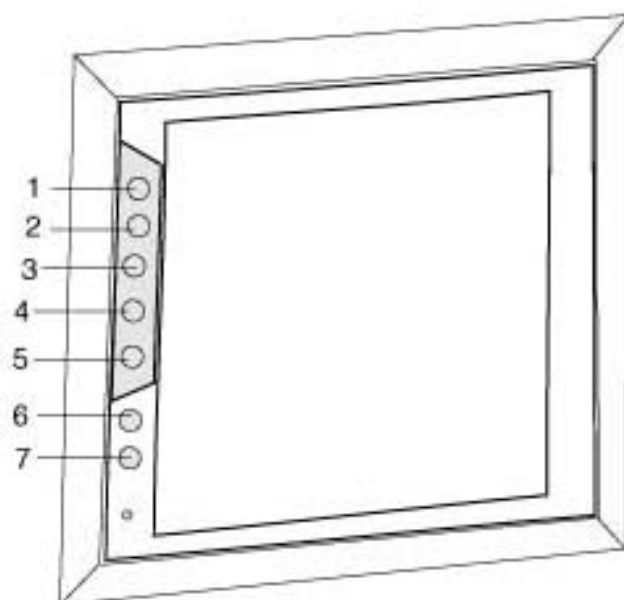
To ensure security, please do not operate the monitor watch video or it while driving.

#### Special hints

There maybe some blink dots in the screen, it's a common phenomenon in active matrix display technology, but not a defect or trouble.

## 1. Controllers and the layout

### □ Monitor



(1) Increase Button

(2) Menu (volume, brightness, color, contrast) buttons

(3) Reduces Button

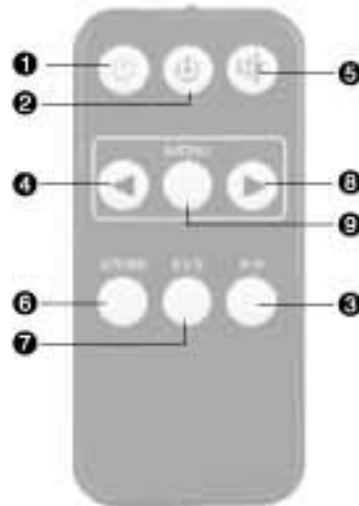
(4) Power on/off

(5) Remote controller receiver

(6) Audio out (Earplug)

(7) Audio/ video in

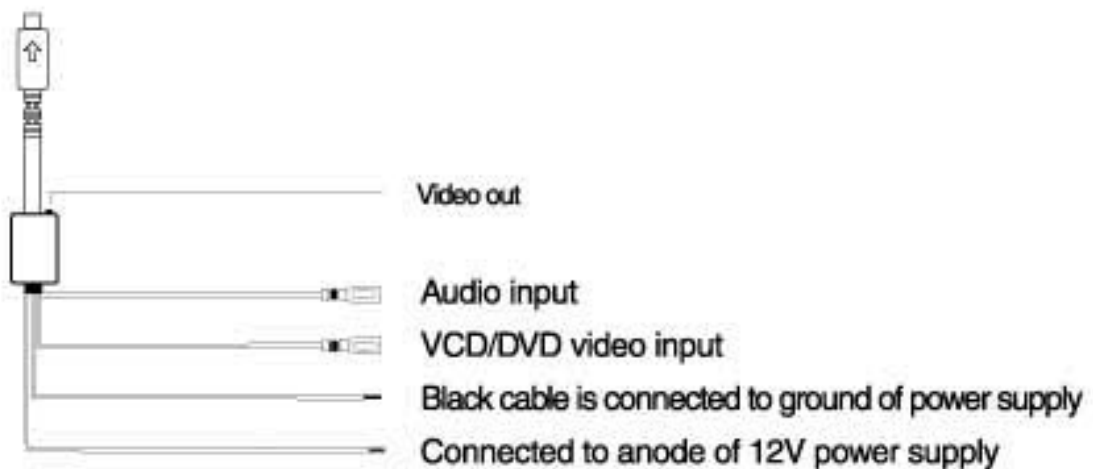
□ Remote controller



- (1) Power on/off
- (2) Timer switch
- (3) Preference switch
- (4) Reduces Button
- (5) Mute

- (6) Memory
- (7) Up/Down/Left/Right
- (8) Increase Button
- (9) Menu (volume, brightness, color, contrast) buttons

## 2. Connections

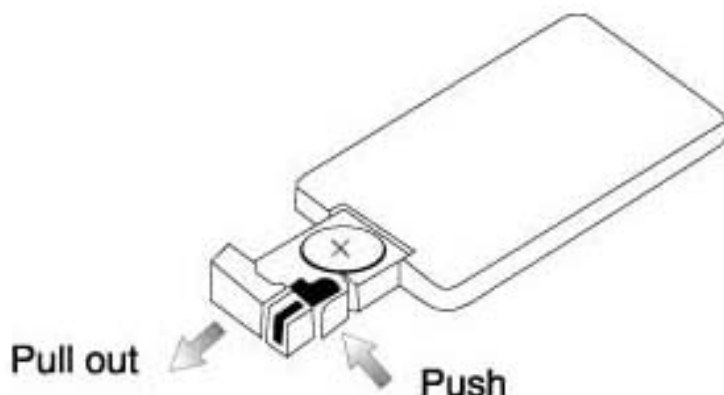


### 3. Operating instructions

- (1) Press MODE button to select brightness, contrast and volume control, press "+" or "-" to adjust correspondent analog.
- (2) Press PP to select the preset analog.
- (3) Store the analog

When you have set desired brightness, color, contrast and volume, press STORE, then press pp, the screen will display STORE pp, press STORE again, STORE in screen will turn into green, the moment analog has been stored, in the future to enable analog return to the stored state, you only need to press pp button.

### 4. Replacing batteries of remote controller



- (1). Always use new batteries when replacing the old set.
- (2). Do not attempt to charge, short-circuit, disassemble, heat or burn used batteries.

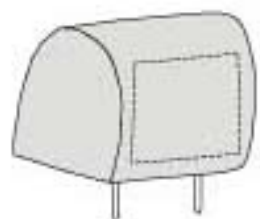
- (3). Battery replacement is necessary when remote control acts sporadically or stops operating this
- (4). Do not drop, apply shock or step on the remote control
- (5). Do not spill water on the remote control
- (6). Do not place objects between the remote control and remote control receiver
- (7). Do not use remote controls for other equipments at the same time
- (8). If the MONITOR does not operate even when operating the remote control from a close range, it is time to replace the batteries (product number: CR2025), Refer to the label on back of the Basic control

## 5. Step of install headvest frame



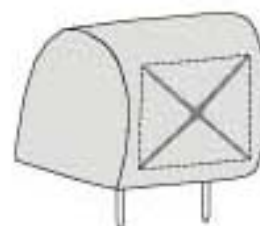
### Setup work

Remove the headrest and set it in an uncluttered work area. Take the appropriate precautions to ensure that it is not damaged during the installation.



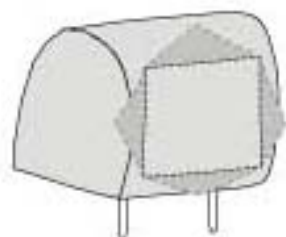
### Measurements

Push on the headliner with your fingers to make sure there are no obstructions that would hinder the installation. Use the paper template to mark the area to be cut.



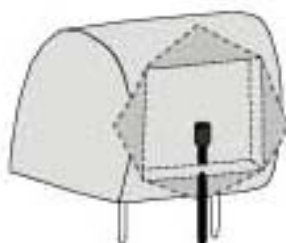
### Cut the headrest

Using an adjustable-depth blade, start your cut 1/4 inch inside one corner and cut diagonally across, stopping 1/4 inch in from the other corner. Repeat the procedure for the other two corners.



### Remove form & obstructions

Carefully peel back the material. Set the adjustable blade to one inch depth and cut around the edges of the hole, staying 1/4 inch inside the edge. Pull up one corner of the foam and use the blade to cut underneath. Remove small section at a time, using the pull up and cut method for uniform depth. Use a Dremel or other appropriate tool to remove other obstructions. Insert the monitor to measure the fit and make adjustments if necessary



### Route the cable through the headrest

Run the supplied cable through the opening and out the bottom of the headrest. If possible, conceal the wires using a shift covering. Connect the power, ground and video leads to test the MONITOR.

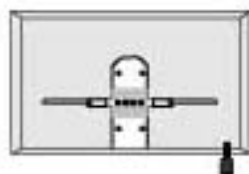
### Route the cable through the headrest frame

Before connecting the monitor, pull the connecting cable assembly through the headrest frame as shown in diagram. Place headrest frame into the opening and secure with correct fasteners.



### Install the headrest frame

Pull the connecting cable through the center of the frame as shown in diagram, then secure with correct fasteners.



### Preparing to insert monitor

Adjust the bracket pin to 90°, run the cable through the frame as diagram shown and connect it.



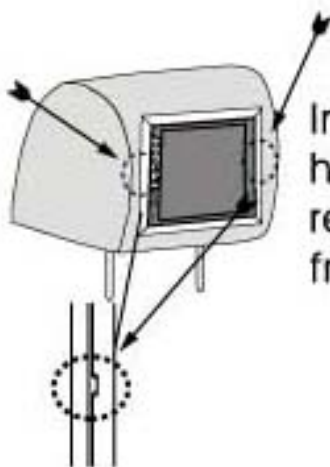
### Insert the monitor

Push to insert the monitor to the headrest frame



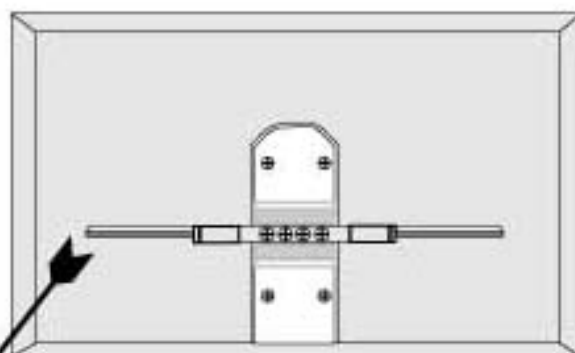
### Swivel an angle

Push up or down to adjust a suitable angle

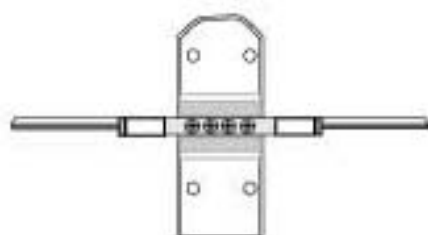


Insert the key between the monitor and headrest frame gap and pull out to remove the monitor from the headrest frame.





Use bracket 2 for headrest frame style

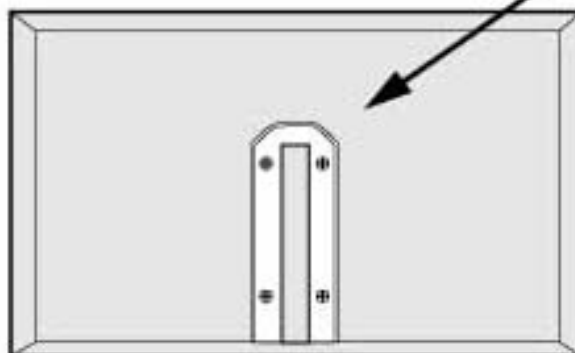


Bracket 2

Remove the bracket 2 from the monitor and install bracket 1 as follows diagrams for stand style use



Bracket 1



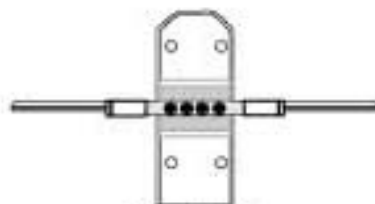
Use Bracket 1 for stand style

● LCD COLOR MONITOR OPERATING INSTRUCTIONS



**Bracket 1**

For mounting stand style purpose

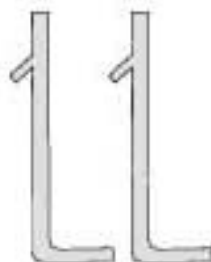


**Bracket 2**

For headrest frame style use purpose



**Mounting Stand**



**Key- for eject the monitor from headrest frame**



**Headrest Frame**

## 6. Supplied accessories

Connection cable	1
Monitor stand	1
Remote controller	1
Bracket	1
Key	2

## 7. Technical parameters

Product name: LCD Color Monitor

System: NTSC

Display component: color LCD

Back-lit source: high-brightness cathode fluorescent tube

Power supply: +12V

Power consumption: 8W

Size: 153 x 113 x 29mm

Pyle ,Inc.  
1600 63rd Street  
Brooklyn,NY 11204  
[www.pyleaudio.com](http://www.pyleaudio.com)